

ASSEMBLY AND INSTALLATION INSTRUCTIONS

C0220

WARNING: TO AVOID RISK OF ELECTRICAL SHOCK, BE SURE TO SHUT OFF POWER BEFORE INSTALLING OR SERVICING THIS FIXTURE.

NOTES: 1. Before installing, consult local electrical codes for wiring and grounding requirements.
2. READ AND SAVE THESE INSTRUCTIONS.

Hardware Package (included):



Cross Bar (A)



Mounting Screw (B)



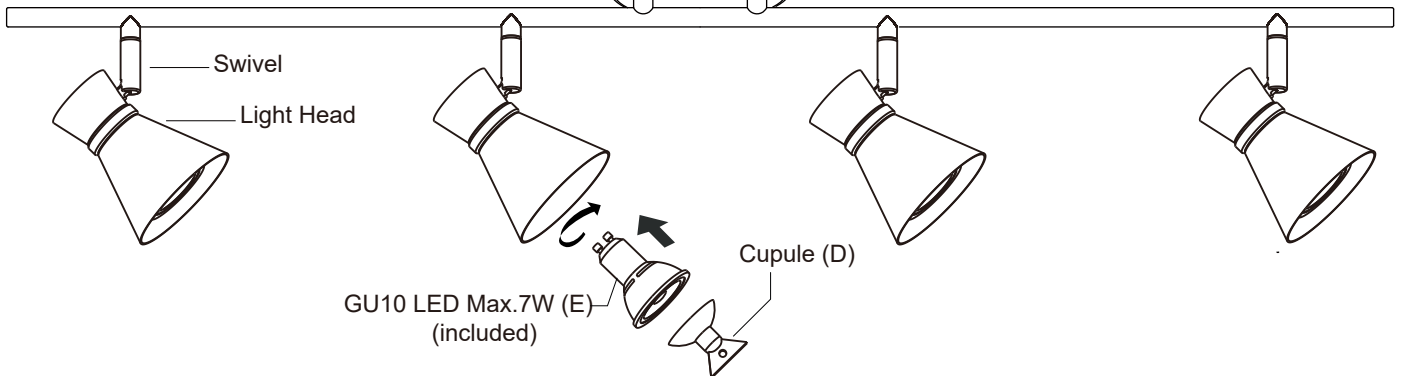
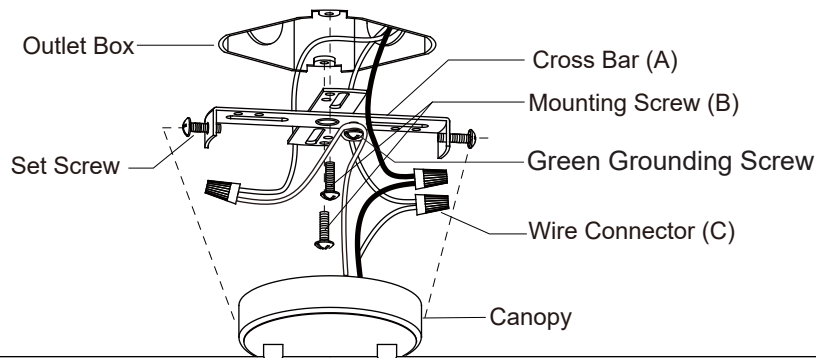
Wire Connector (C)



Cupule (D)



GU10 LED Bulb
Max.7W X 4 (E)



Installation Steps

Turn off the power at fuse or circuit box

1. Attach the cross bar (A) to the outlet box by using two mounting screws (B).
2. Pull out the outlet wires and the house grounding wire from the outlet box. Make wire connections by using the wire connector (C) as follows:
 - Connect the black (hot) wire from the fixture to the black (hot) wire from the power source.
 - Connect the white (neutral) wire from the fixture to the white (neutral) wire from the power source.
 - Attach the fixture grounding wire to the cross bar (A) with the green grounding screw. Then connect it to the house grounding wire with a wire connector (C).Carefully put the wires back into the outlet box.

- Attach the canopy to the cross bar (A) by aligning holes, secure the set screws from the side hole of the canopy into the hole in the side of the cross bar (A), then tighten the screws.
 - Attach the cupule (D) to the top surface of the bulb lens. Insert the bulb (E) into the socket using the cupule (D). Twist bulb to lock pins in place. Remove the cupule (D) from the bulb lens by pulling the knob of the cupule (D).
- Caution: LED Bulb, Type MR GU10 base, maximum 25W X 4**
Halogen Bulb, Type MR GU10 base, maximum 50W X 4
- Notes: LED Dimmable bulb to be compatible with most LED Dimmers, recommended Lutron:
 MSCL-OP153MH, MACL-153MH, DVWCL-153PH, TGCL-153PH, SCL-153PH.**
- Follow step 4 of instructions of single light head installation for other three light heads.
 - Adjust the light head to a desired position by using the swivel.

Turn on the power at fuse or circuit box

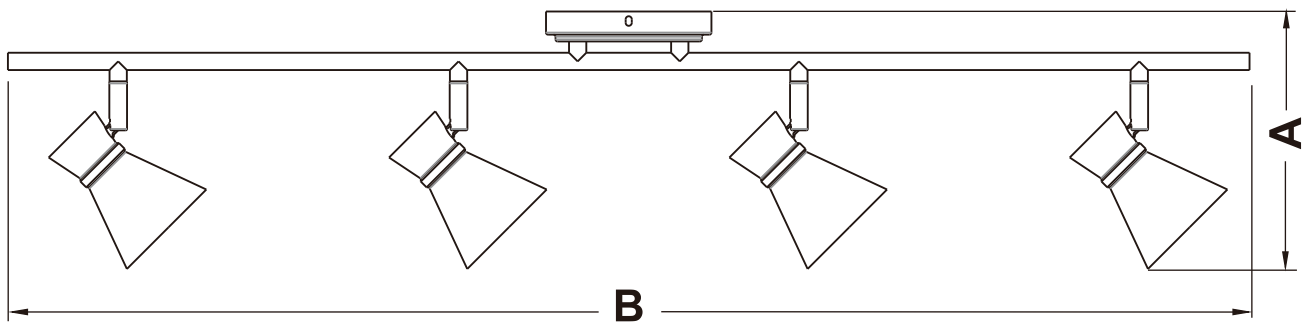
The following parts are available for re-order if damaged or missing.

Spare Parts List:

Cross Bar (A) Mounting Screw (B) Wire Connector (C) Assembly Kit 6063MM (1SET) Cupule (D) 6070CP GU10 LED Bulb Max.7W (E) 8104 LED

5-YEAR LIMITED WARRANTY:

All products are warranted to be free of defects in material and workmanship for five (5) years from date of purchase. This warranty is limited to the correction of any such defect, or the replacement of any such defective item(s), provided that: (a) we are properly notified and consent to return of the item(s) in question:(b) the item(s) is / are returned with proof of purchase date; and (c) it is found upon inspection by us that the item(s) is / are defective as noted above. This warranty does not cover labor costs, consequential damages, nor does it apply to any item(s) that have been improperly installed, overloaded, altered, or otherwise abused by the customer, its agent(s) or employee(s). Finishes are specially excluded from the terms of this warranty since they are subject to environmental maintenance deemed beyond our control. Other than the described obligation, we assume no further liability with respect to the sale or use of our products. We make no warranty, express or implied, and disclaim any warranty of merchantability or fitness for a particular purpose.



A: 8"

B: 36"