

INSTALLATION INSTRUCTIONS

Model 592B;593B

FOR YOUR SAFETY WARNING: BE SURE THE ELECTRICITY TO THE WIRES YOU ARE WORKING ON IS SHUT OFF; EITHER THE FUSE IS REMOVED OR THE CIRCUIT BREAKER IS SHUT OFF.

CAUTION: THE PRODUCT SHOULD BE INSTALLED BY A QUALIFIED ELECTRICIAN THAT IS AWARE OF THE CONSTRUCTION AND OPERATION OF THE PRODUCT AND THE HAZARDS INVOLVED

GENERAL You don't need special tools to install this fixture. Be sure to follow the steps in the order given. Under no circumstances should a fixture be hung on house electrical wires, nor should a swag type fixture be installed on a ceiling which contains a radiant type heating system. Read instructions carefully. If you are unclear as to how to proceed, consult a qualified electrician.

NOTE: Proper wiring is essential for the safe operation of this fixture.

MOUNTING THE FIXTURE (Fig. 1)

1. Shut off the power at the circuit breaker and remove the old fixture, including the mounting hardware.
2. Carefully unpack your new fixture and lay out all the parts on a clear area. Take care not to miss any small parts necessary for installation.
3. If you are replacing an existing fixture, remove and disconnect the old fixture
4. Attach the mounting plate (B) to the outlet box (A) (Not provided). Mark anchor holes location on the wall. Hit the swell plastic button (D) (Not provided) into the wall with a hammer.

Secure the mounting plate (B) to the outlet box with the box screws (E), then use the mounting screws (C) to hold the mounting plate 4 corners on wall. GND must face out.

Make the wire connections as follow (Fig.2):

5. Connect Black wire from the fixture to the black (hot) supply wire from outlet box with wire nut; connect the white wire from the fixture to the white (neutral) house wire from outlet box with wire nut. Make sure all wire nuts are secured properly. You may wrap the connections with tape. If your outlet has a ground wire (green or bare copper). Connect fixture's ground wire to it. Otherwise, connect fixture's ground wire directly to the mounting plate using the green screw provided. Tuck the wire connections carefully into the outlet box.

THE INSTALLATION (Fig.1)

6. Put the fixture back plate (F) onto the mounting plate (B) to be secured with fixture mounting screws (J).
7. Install the bulb (Not provided) into E12 Medium base in accordance with the fixture's specification.

Install glass shade (I). (Fig.4)

8. Install the glass shade (I) into the lamp holder and tighten the fixture loop(G) with screws(H).
9. To prevent moisture from entering the outlet box and causing a short, use clear caulking (i.e. Indoor/Outdoor Silicone Sealant) to outline the outside of fixture back plate where it meets the wall leaving a space at bottom to allow moisture a means to escape. (Fig. 3)

DO NOT EXCEED THE MAXIMUM WATTAGE RATING!

Your installation is now complete. Return power to the junction box and test the fixture.

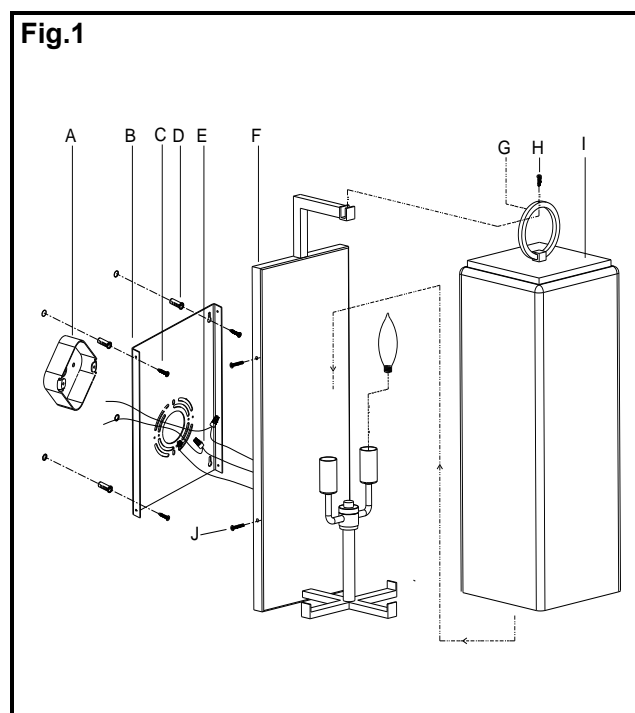


Fig. 2

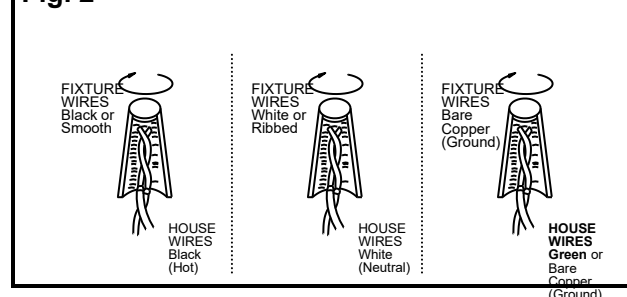
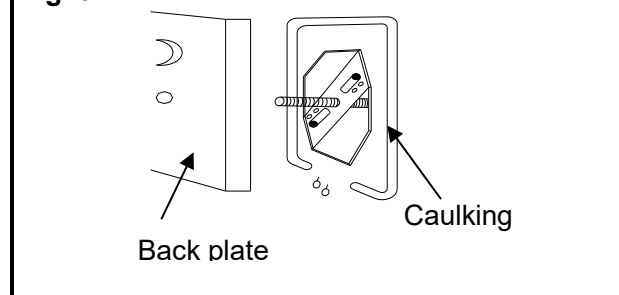


Fig. 3



INSTALLATION INSTRUCTIONS

Model 592B;593B

FOR YOUR SAFETY WARNING: BE SURE THE ELECTRICITY TO THE WIRES YOU ARE WORKING ON IS SHUT OFF; EITHER THE FUSE IS REMOVED OR THE CIRCUIT BREAKER IS SHUT OFF.

CAUTION: THE PRODUCT SHOULD BE INSTALLED BY A QUALIFIED ELECTRICIAN THAT IS AWARE OF THE CONSTRUCTION AND OPERATION OF THE PRODUCT AND THE HAZARDS INVOLVED

GENERAL You don't need special tools to install this fixture. Be sure to follow the steps in the order given. Under no circumstances should a fixture be hung on house electrical wires, nor should a swag type fixture be installed on a ceiling which contains a radiant type heating system. Read instructions carefully. If you are unclear as to how to proceed, consult a qualified electrician.

NOTE: Proper wiring is essential for the safe operation of this fixture.

